

No.	Item	Symbol	Unit	Specification	No.	Item	Symbol	Unit	Specification
1	Drive	-	-	3 ϕ 220 VAC	13	Rotor Inertia	Jm	kg-cm ²	61.58 \pm 10%
2	Cooling Method	-	-	Totally Enclosed	14	Rated Power Rate	Q-R	Kw/s	127.31
3	Exciting Method	-	-	Permanent Magnet	15	Resistance	Ra	Ω	0.167 \pm 10% / 2 ϕ
4	Resolution	-	-	23 bit-ABS	16	Inductance	L	mH	4.3 \pm 10% / 2 ϕ
5	Rated Output	P-R	W	4400	17	Mech. Time Constant	Tm	ms	1 \pm 10%
6	Rated Torque	T-R	N-m	28	18	Elect. Time Constant	Te	ms	25.8 \pm 10%
7	Max. Torque	T-max	N-m	70	19	Insulation Class	-	-	Class F
8	Rated Speed	N-R	rpm	1500	20	Operation Temp.	T	$^{\circ}$ C	0-40
9	Rated Current	I-R	A	23.6	21	Operation Humd.	RH	%	<80
10	Max. Current	I-max	A	59	22	Storage Temp.	T	$^{\circ}$ C	-20 $^{\circ}$ -60 $^{\circ}$
11	Torque Constant	Kt	N-m/A	1.19 \pm 10%	23	Storage Humd.	RH	%	<80
12	Voltage Constant	Ke	V/krpm	79 \pm 10%	24	Weight	W	kgw	26

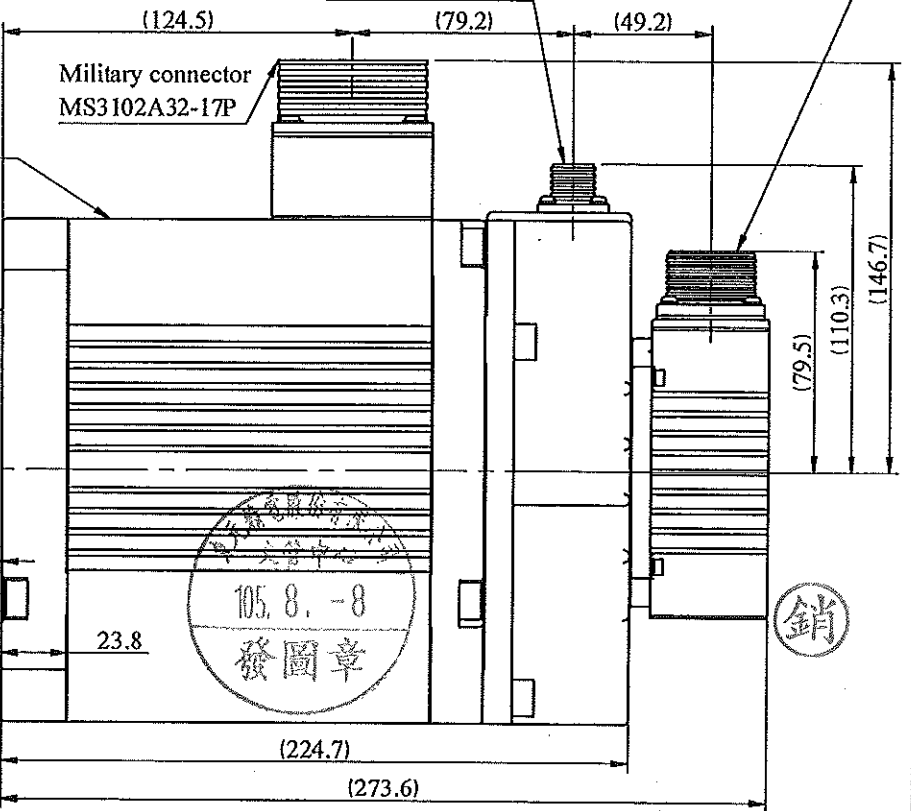
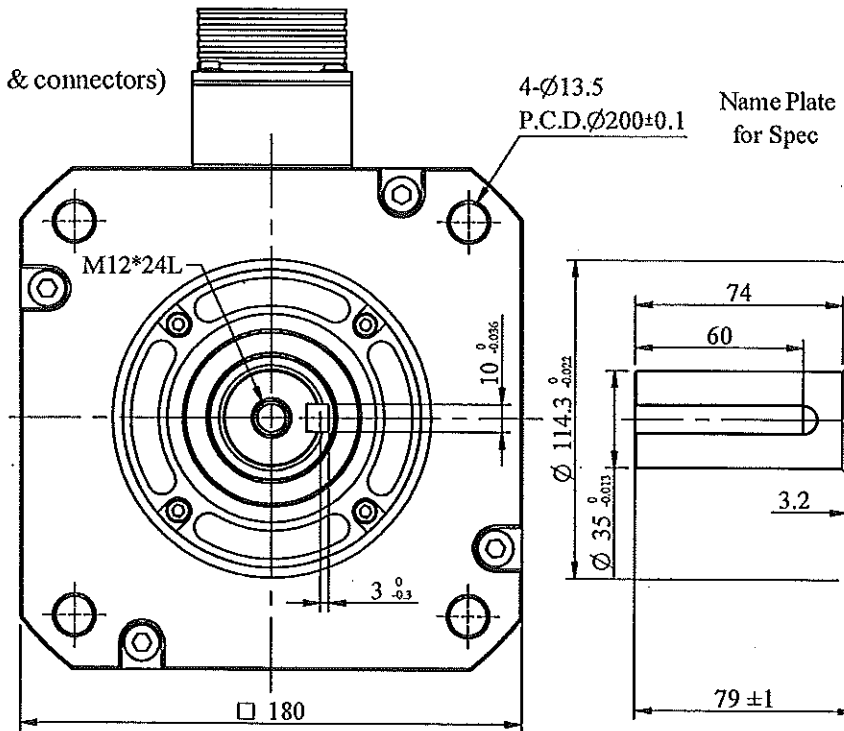
NOTE:
Motor to be IP67.
(excluding the shaft opening & connectors)



Name Plate for Notice

AC SERVO MOTOR
 Model: JSMA-PIH44AWKB
 Pr: 4.4 KW ; Nr: 1500 rpm
 Ir: 23.6 A , Tr: 28 N-m
 NO.
TECO ELECTRIC MACHINERY CO., LTD.
 MADE IN TAIWAN

Name Plate for Spec



Pin	Signal
A	U
B	V
C	W
D	FG

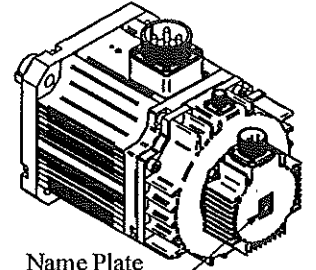
Motor Wiring

Pin	Mark
A	0
B	24V
C	

Brake Wiring

PIN	Signal
B	+5V
I	0V
A	VB+
C	VB-
H	SD+
D	SD-
G	
E	
F	FG

Encoder Wiring



Name Plate for Notice

STANDARD TOLERANCE		APVD	SCALE	UNIT	m m	NAME	Servo Motor Outline Drawing	
X	\pm 0.5						JSMA-PIH44AWKB	
.X	\pm 0.2	CHKD	3RD .A.P.			TITLE		
.XX	\pm 0.05	CHKD						
ANGLE	\pm 30'	DWN						
MATERIAL	REV	DESCRIPTION	SIGNATURE	DATE	SIGNATURE	DATE	Dept Design	DWG.NO. D01B18442H3BRAD01